

Regular Workflow

Plan



Management



Project

General IPv6 Deployment

- Explain to the management IPv4 is running out
- Ask for resources to start a project:
 - Upgrade parts of the network
 - Make changes to provisioning systems and procedures
 - Train everybody on the new protocols
- This can be expensive

Does your manager know what an IP
address is?

(and does he actually care?)

Communication Challenge

What the engineers say:

“...IPv4 running out... problem ...must do IPv6...”

What the managers hear:

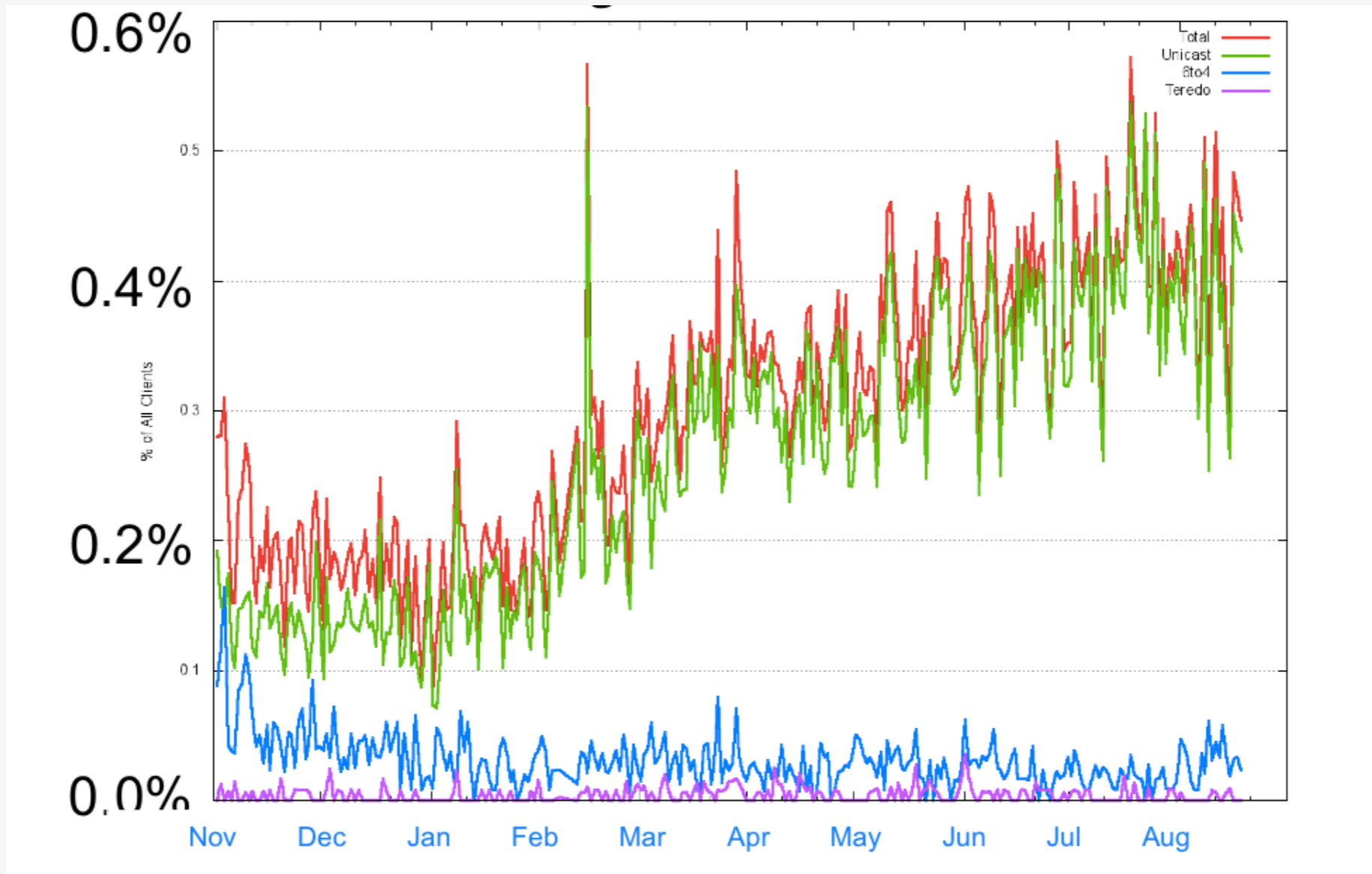
“0100111010101001110110110110110...ZzZzZzZzZzZ”

\$\$\$\$\$\$\$\$???

IPv6 From the Bottom Up

A different approach
(based on a true story)

IPv6 Adoption



<http://www.potaroo.net/presentations/2011-10-18-dualstack.pdf>

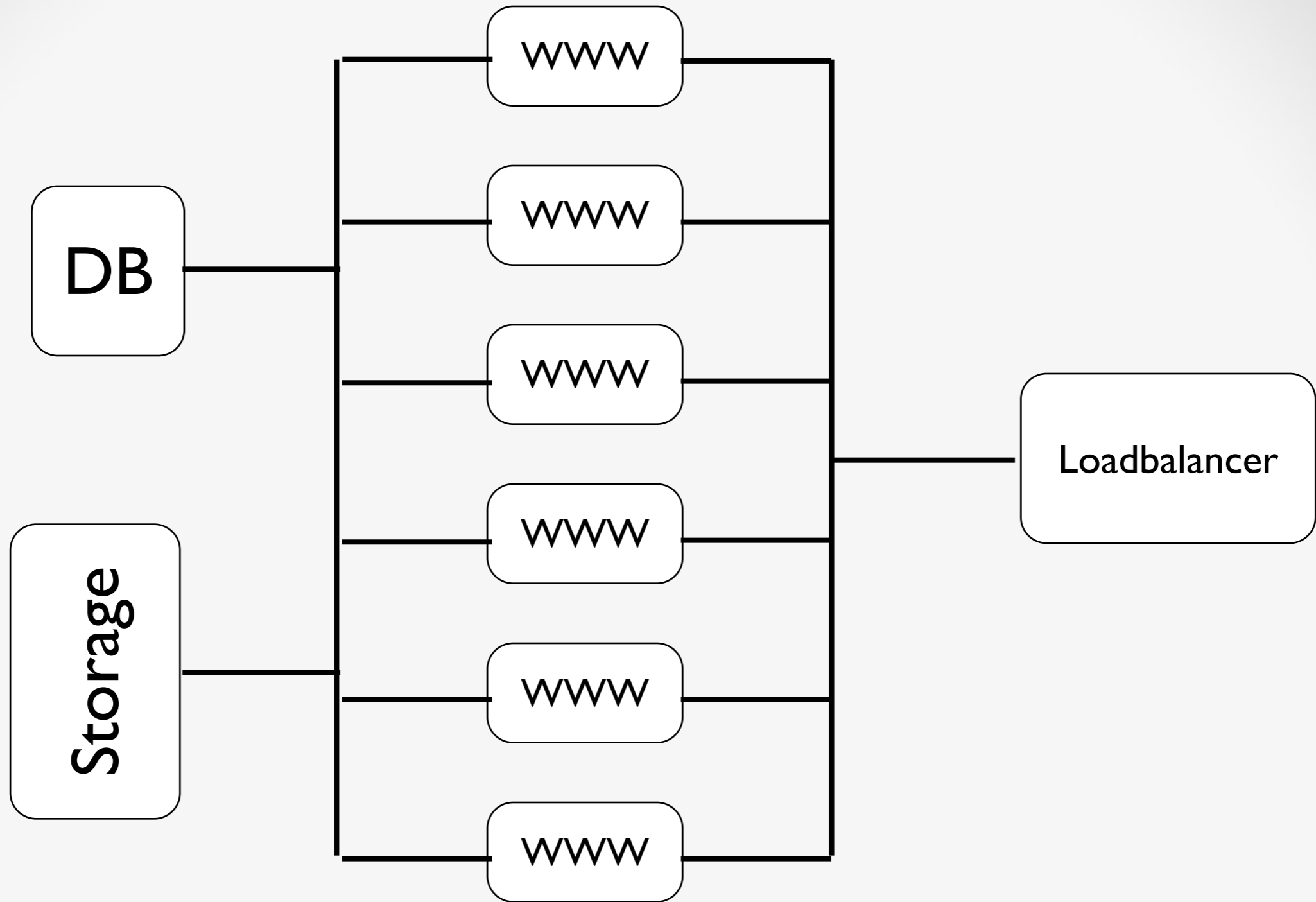
Do you really need it all at once?

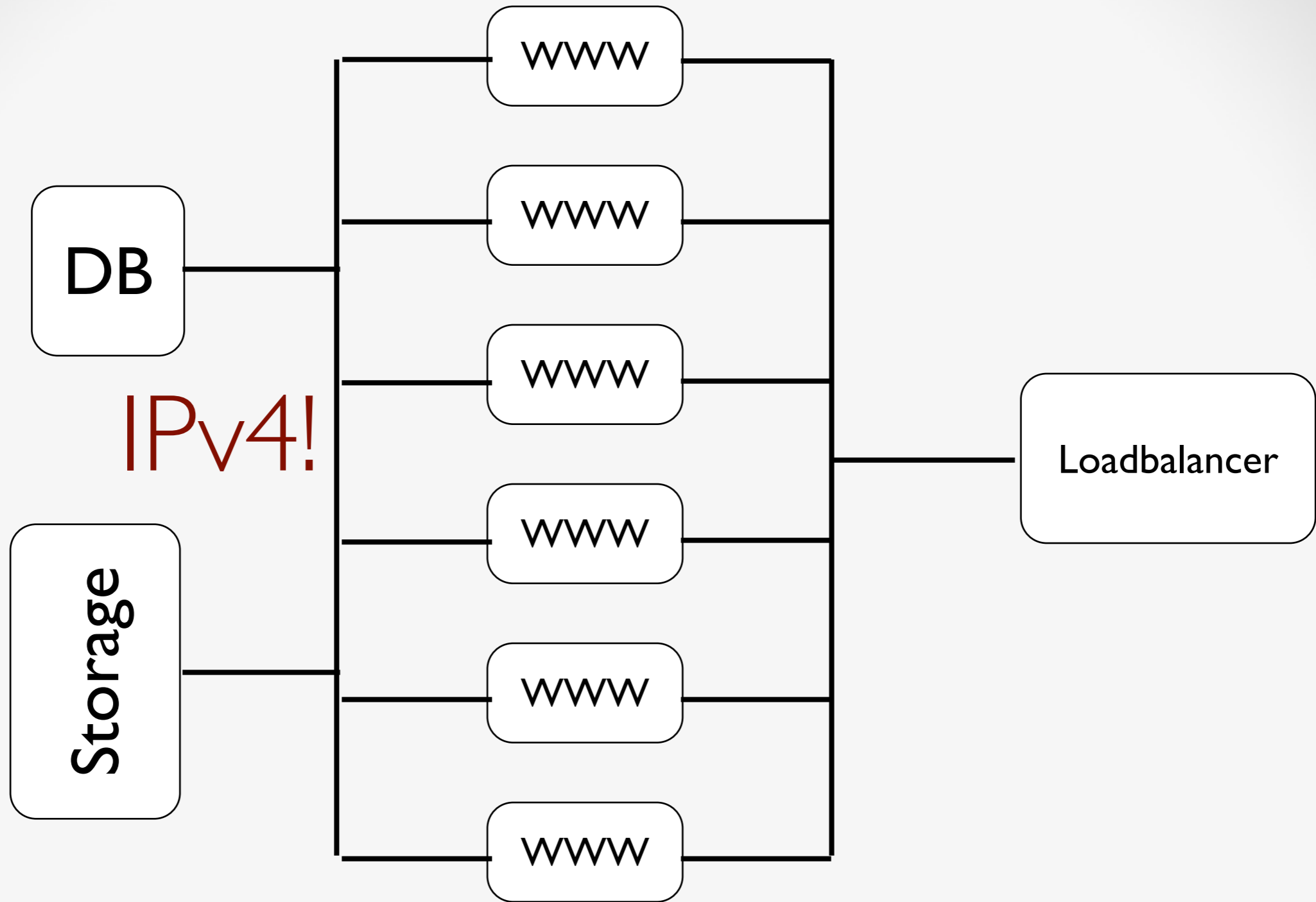
Using a Slow Start Approach

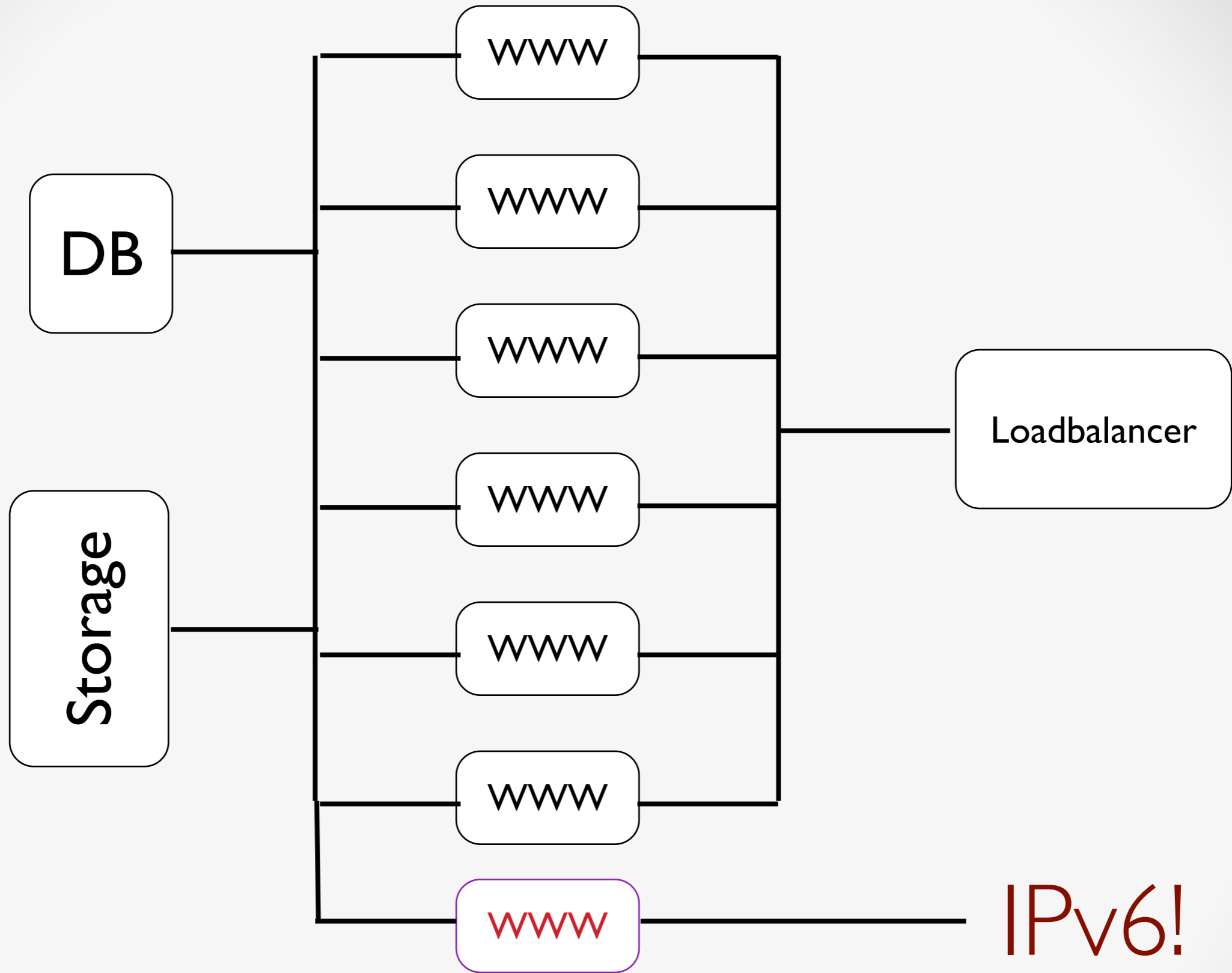
- You don't need loads of money
- Get some confidence
- Easier to learn by doing it
- No need to tell the boss :)

An Example

Webhosting







One Machine on IPv6

- Use `/etc/hosts` to test your setup
- Or go advanced and use a separate DNS view
- Allows you to verify the software setup
- Optionally configure `ipv6.domain` or `www6.*` as an alternative hostname on the same content

Find a Friendly Customer

- Ever had a customer ask about IPv6?
 - Now is the time to give them a call
- Have them test it for you

Talk with marketing or product
management

Would they switch off a happy customer?

Try it!

Questions?

marco@ripe.net